



Ford F150

Fitment guide for the 5.5Ft canopies.

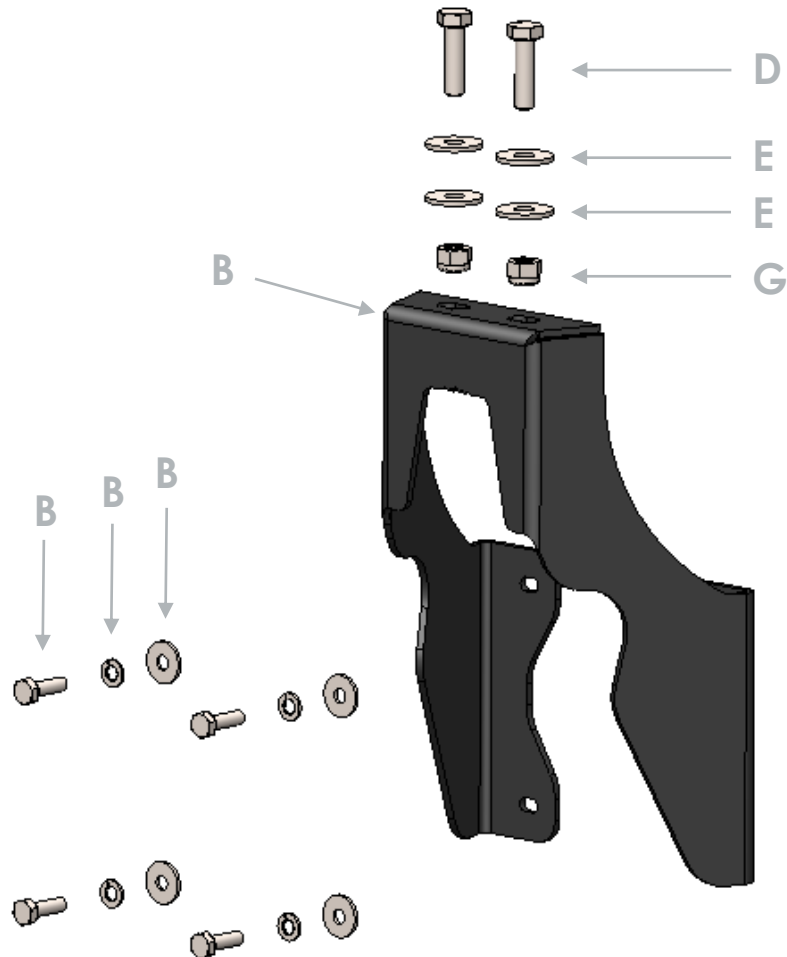
CONTENTS

1. Getting Started:	2
1.1. Fitment kit contents:	2
2. Fitment guide:	3
2.1. Installation time & care instructions:	3
2.2. Tools required for fitment:	3
2.3. Step 1 – Prepare the vehicle for fitment:	3
2.4. Step 2 – Place the fitment brackets in position:	4
2.5. Step 3 – Place the canopy onto the vehicle load bed:	4
2.6. Step 4 – Secure the canopy to the fitment brackets:	5
3. Notes:	6

1. Getting Started:

1.1. Fitment kit contents:

Please ensure that all the contents are received as listed below.



A. Ford F150 Aluminium canopy	x 1
B. Fitment bracket	x 4
C. M6 x 20 Hexagonal Screw	x 16
D. M6 Body Washer	x 16
E. M6 Spring Washer	x 16
F. M8 x 30 Hexagonal Screw	x 8
G. M8 Body Washer	x 16
H. M8 Nyloc nut	x 8

FOR ANY FURTHER INFORMATION, PLEASE CONTACT YOUR INTERNATIONAL DEALER

2. Fitment guide:

2.1. Installation time & care instructions:

PLEASE NOTE...

The fitment duration is approximately 45 minutes.

Before installation, ensure that your hands and workwear are clean from oil, grime & dirt.



Ensure that the correct tools and PPE are used whilst installing the canopy. Clean the rear cab window before fitting the canopy.

PLEASE NOTE...

Torque all M6 fasteners to approx. 12 Nm.

Torque all M8 fasteners to approx. 28 Nm.

The fitment of the canopy will require a minimum of two people.

2.2. Tools required for fitment:

COMBINATION WRENCH



- 1 x 10mm Spanner
- 1 x 13mm Spanner

SOCKET WRENCH



- 1 x 10mm Socket
- 1 x 13mm Socket

TORQUE WRENCH



- 1 x Torque wrench

TORX SOCKET BIT / WRENCH



- 1 x T30 Torx Bit

2.3. Step 1 – Prepare the vehicle for fitment:

- Remove any cab guards, roll bar, tonneau cover, sports bar and any accessory that might cause an obstruction for the fitment of the canopy.
- Remove the cab-and-tail gate side factory fitted tie down brackets on both sides of the load bin. Fig. 2.3

Remove the M6 screws with a T30 Torx bit / wrench

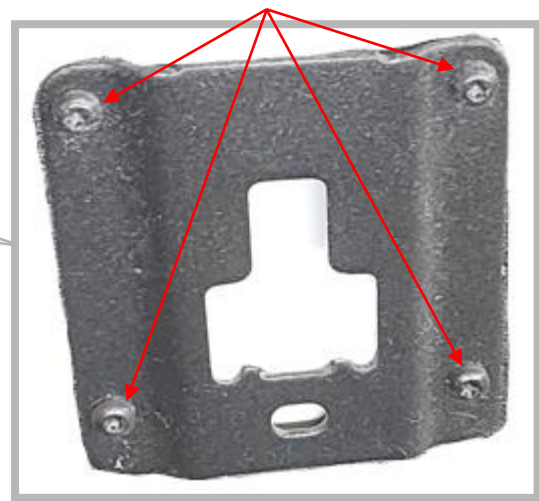


Fig. 2.3

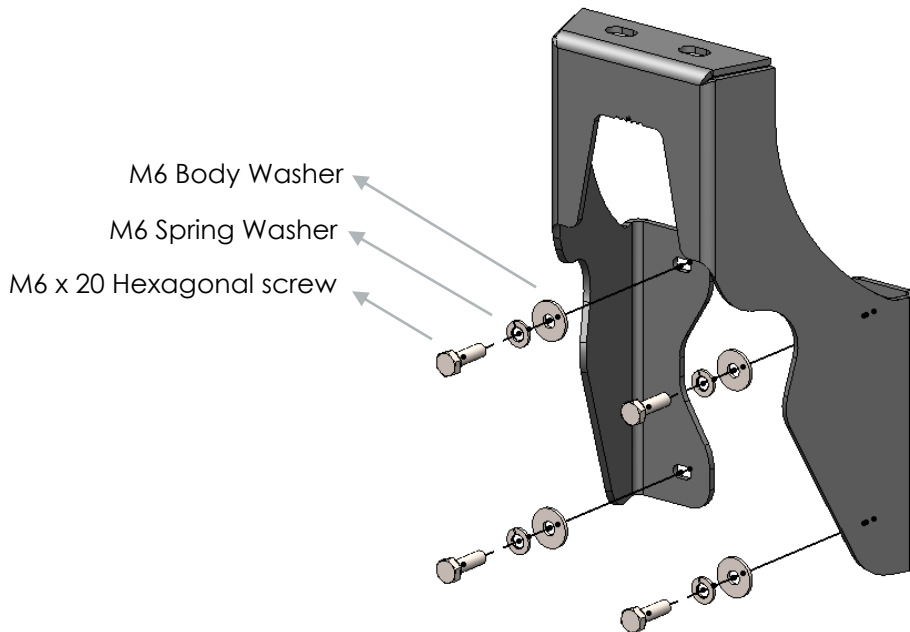
PLEASE NOTE...

All the factory fitted tie down brackets can be re-installed over the fitment brackets should it be desired.

FOR ANY FURTHER INFORMATION, PLEASE CONTACT YOUR INTERNATIONAL DEALER

2.4. Step 2 – Place the fitment brackets in position:

- Align the 4 x holes of each fitment bracket, with the screw holes in the load bin then secure each bracket with 1 x M6 Body Washer, 1 x M6 Spring Washer and 1 x M6 x 20 hexagonal screw into each screw hole. **Tip: (optional) the factory fitted tie down brackets should be reinstalled on top of the fitment brackets during this process.**



2.5. Step 3 – Place the canopy onto the vehicle load bed:

- Place the canopy onto the vehicle load bed.
- The bottom flange of the front panel should be approximately 5mm / 3/16" from the load bed's front panel edge. Fig. 2.5.
- Observe the sides of the canopy compared to the load bed to confirm that the canopy is positioned center to the load bed.

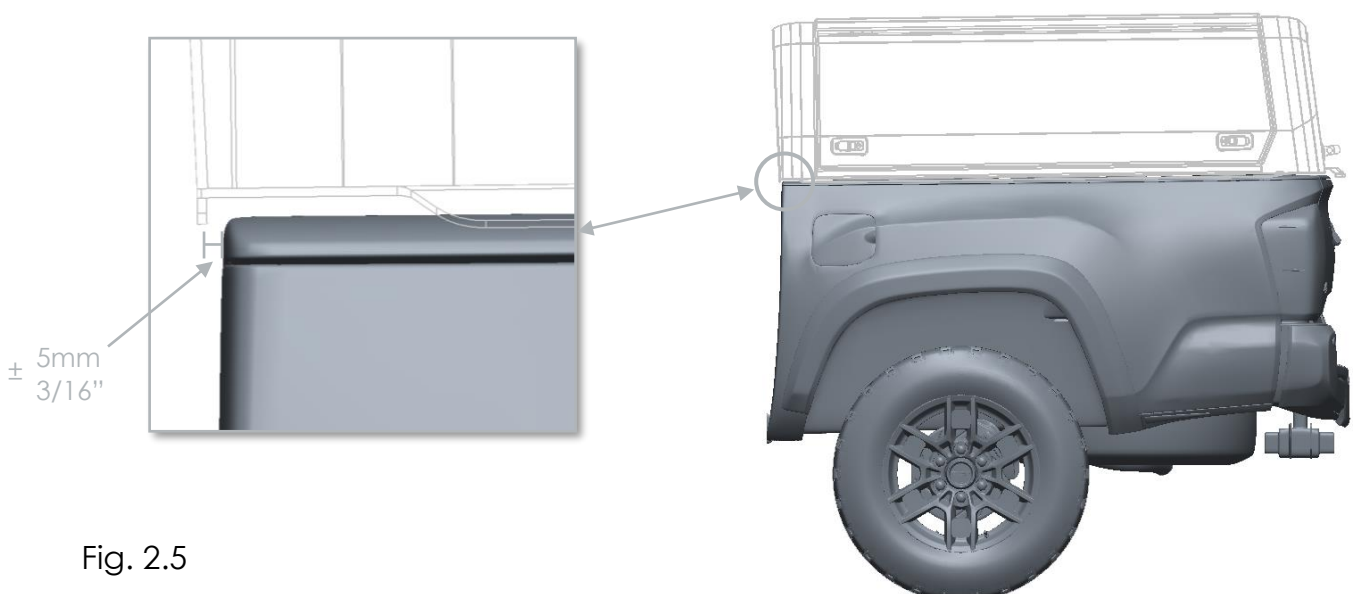


Fig. 2.5

FOR ANY FURTHER INFORMATION, PLEASE CONTACT YOUR INTERNATIONAL DEALER

2.6. Step 4 – Secure the canopy to the fitment brackets:

- Ensure that the holes in both the fitment positions on the canopy and the holes on top of the fitment brackets align. Adjust the canopy position to align if needed. Fig. 2.6.1
- Prepare the fasteners for securing the canopy to the fitment brackets. Insert 2 x complete fast sets into each fitment bracket and hand tighten only. Fig. 2.6.2
- Confirm the canopy position compared to the load bed one final time, secure all fasteners to approximately 28 Nm.

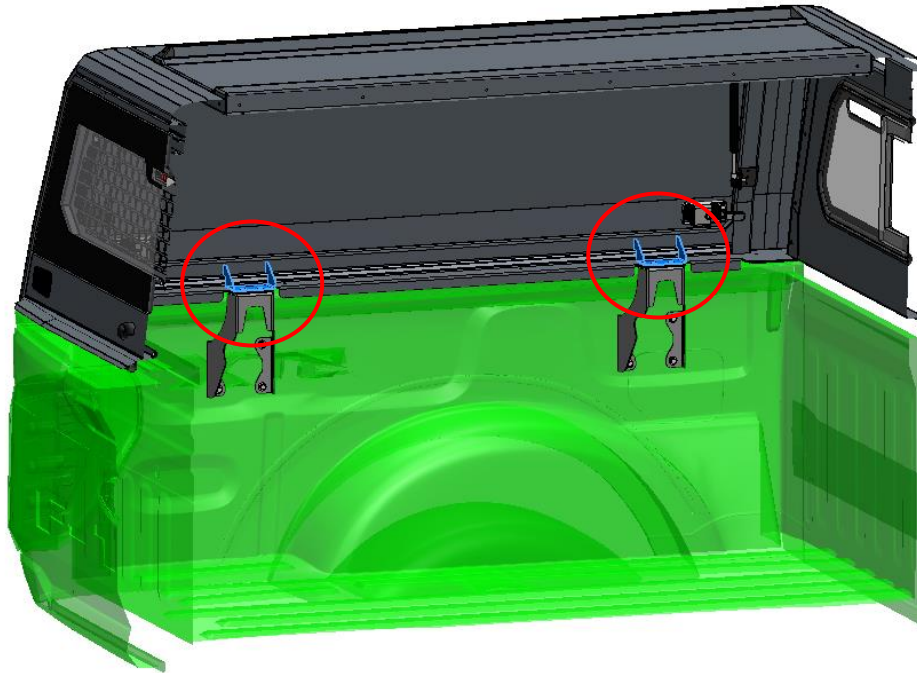


Fig. 2.6.1

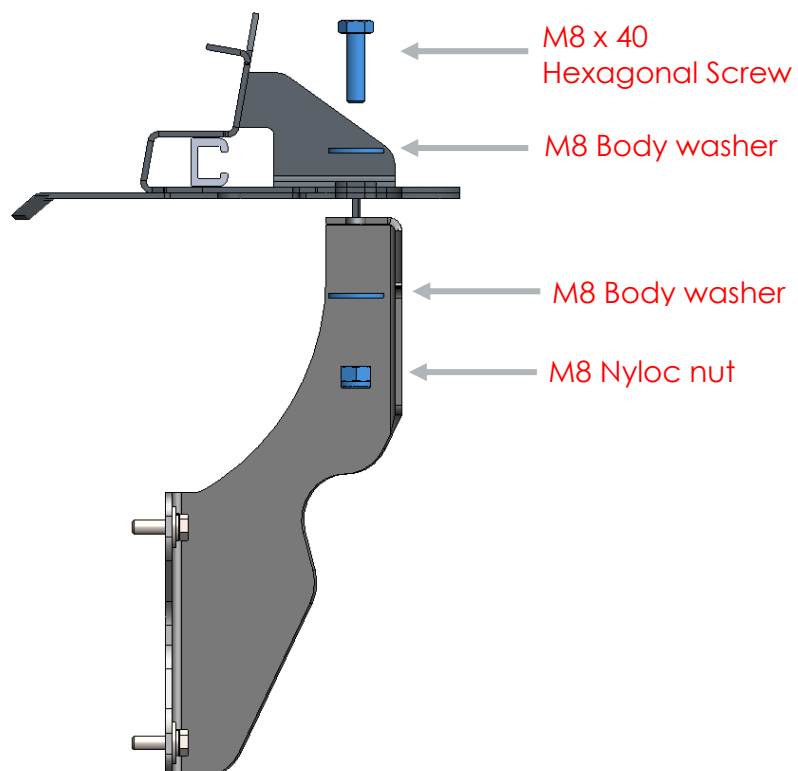


Fig. 2.6.2

Fig. 2.6.2

FOR ANY FURTHER INFORMATION, PLEASE CONTACT YOUR INTERNATIONAL DEALER

3. Notes:

- You have now successfully completed the fitment of your Aluminium canopy.
- Confirm that all the fitment screws have been properly torqued one last time.
- Be sure to check at least bi-monthly that all the screws are still properly tightened.