

## FITMENT INSTRUCTIONS



NISSAN NAVARA (H60) DOUBLE CAB – EXPORT ONLY

XPEDITION &amp; XTREME (for models WITHOUT 2-channel Utili-Track™ system)

## FITMENT KIT CONTENTS

DESCRIPTION	QUANTITY	ILLUSTRATION
• M8 x 25 Hexagonal bolt	18	
• M8 Nylock Nut	8	
• M8 Body Washer	26	
• M8 Spring Washer	10	
• M8 Rivnut	2	
• H60 EXP RR BRACKET	2	
• H60 EXP FRT BRACKET	2	

## REQUIRED TOOLS

DESCRIPTION	ILLUSTRATION
<ul style="list-style-type: none"> <li>• 13mm Spanner</li> <li>• 13mm Socket Wrench</li> <li>• Drill + Ø11 drill bit.</li> <li>• Rivnut Tool</li> </ul>	

## INSTALLATION TIME &amp; CARE INSTRUCTIONS

Approx. 45 Minutes (Excluding the removal of any accessories from load bin)

- ✓ Before installation, ensure that your hands and workwear are clean from oil, grime & dirt.
- ✓ Ensure that the correct tools and PPE are used whilst installing the canopy. Clean the rear cab window before fitting the canopy.

## FITMENT STEPS

## STEP 1

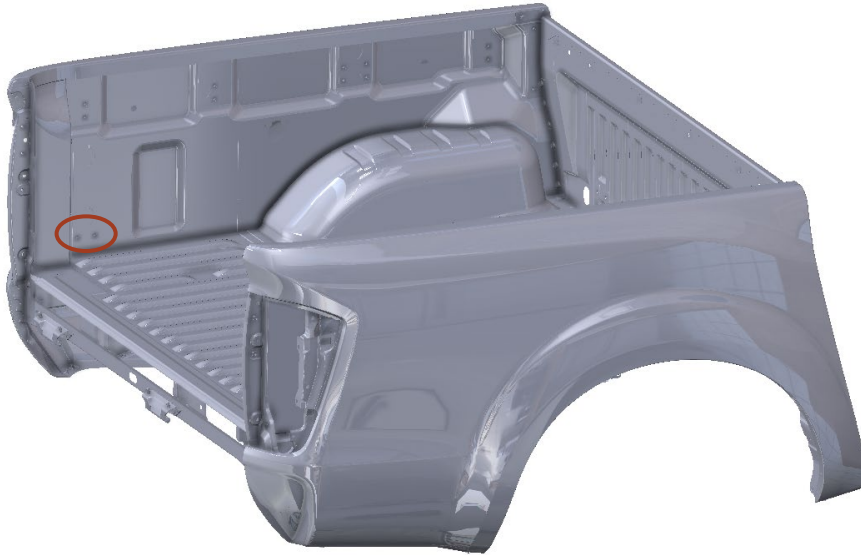
- Unpack all components and hardware from packaging, ensure that everything is accounted for as indicted above.

## STEP 2

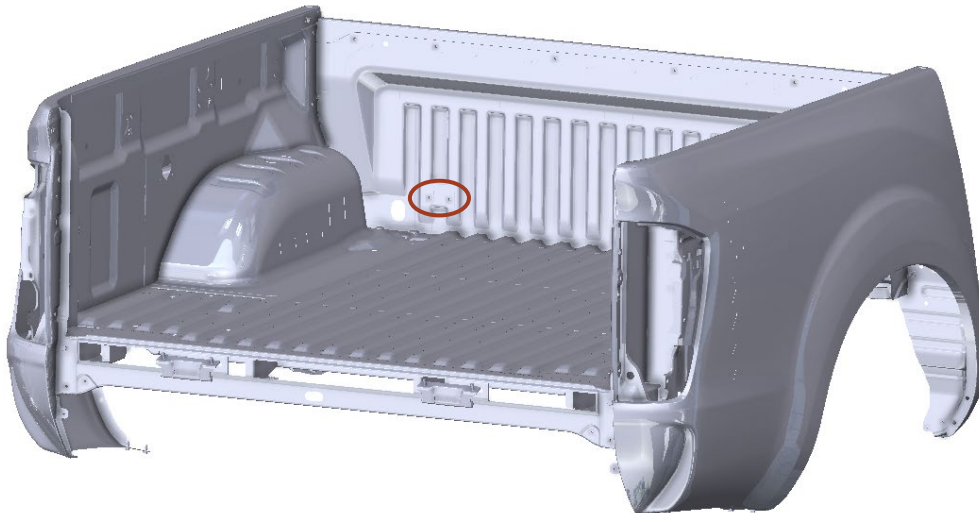
- Remove any cab guards, roll bar, tonneau cover, sports bar etc. from vehicle.

## STEP 3

- ✓ Identify the fitment bracket positions (left hand positions indicated):
  - Rear fitment bracket position (apply same to right hand):



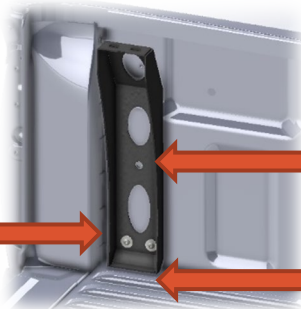
- Front fitment bracket position (apply same to right hand):



## STEP 4

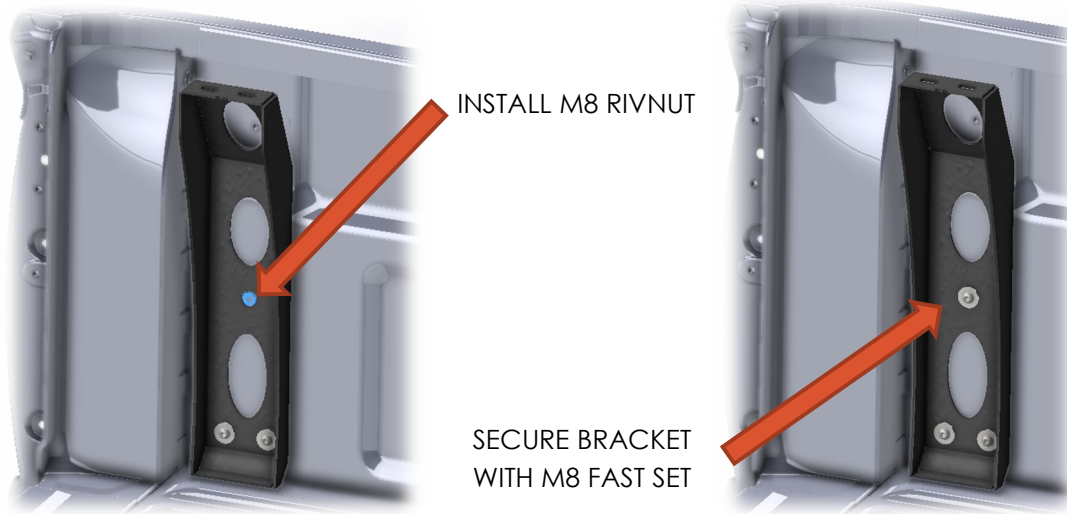
- ✓ Remove the existing tie-down brackets (if any) from above indicated positions.
- ✓ Place the RR fitment bracket in position and secure with 2 x M8 body washers, 2 x M8 spring washers and 2 x M8 x 25 bolts at the bottom. Repeat on right hand side.
- ✓ Use indicated hole as a drill jig and drill a Ø11mm hole into the load bin. Ensure to treat the drilled edges of the load bin with a rust prevention treatment.

M8 FAST SET SECURED TO BRACKET

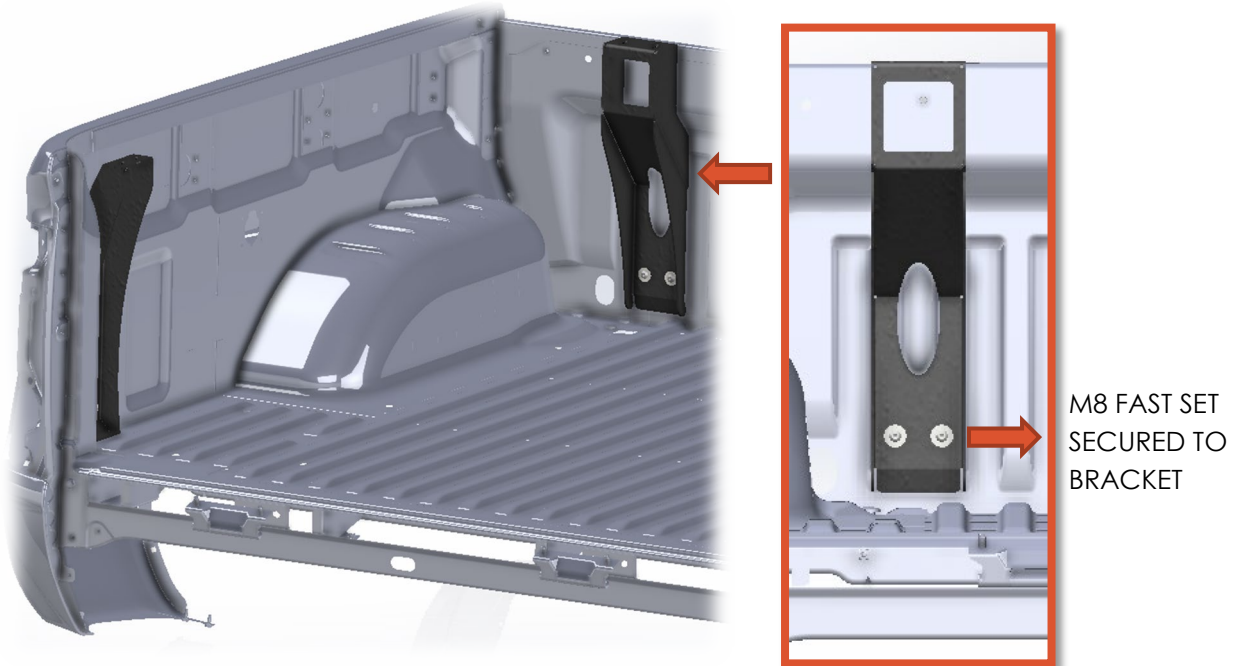


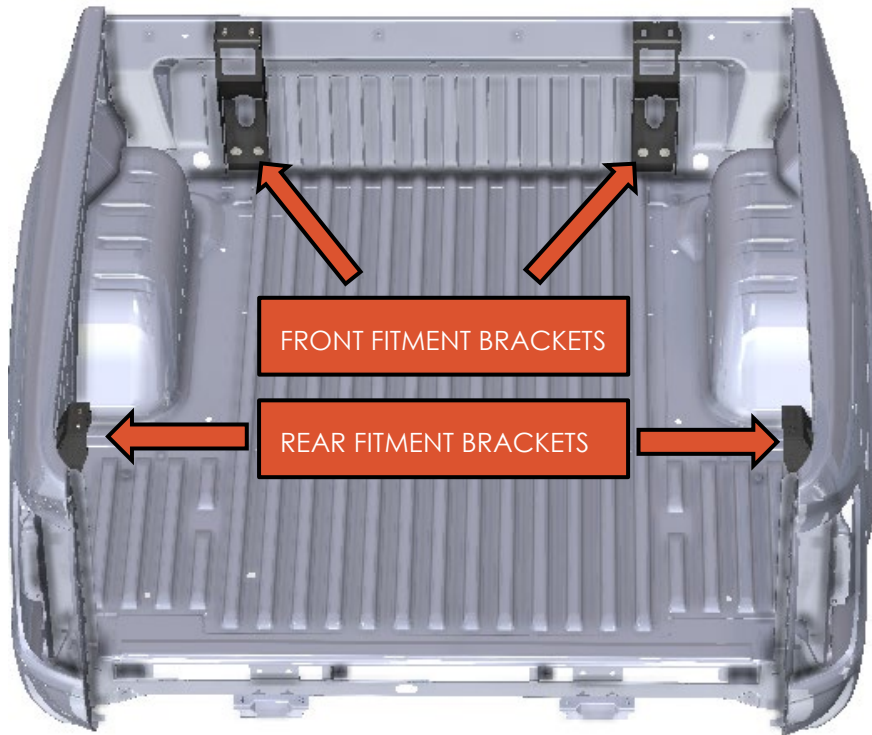
USE INDICATED HOLE AS DRILL JIG FOR Ø11mm HOLE  
SHOULD THE LOAD BIN BE PRE-FITTED WITH A LOAD MAT, THE LOAD MAT WILL HAVE TO BE TRIMMED TO SUIT THE FITMENT BRACKET.

- ✓ Install a M8 rivnut into the  $\text{\O}1$ mm hole. Secure the RR fitment bracket with a M8 body washer, M8 spring washer and M8x25 bolt.



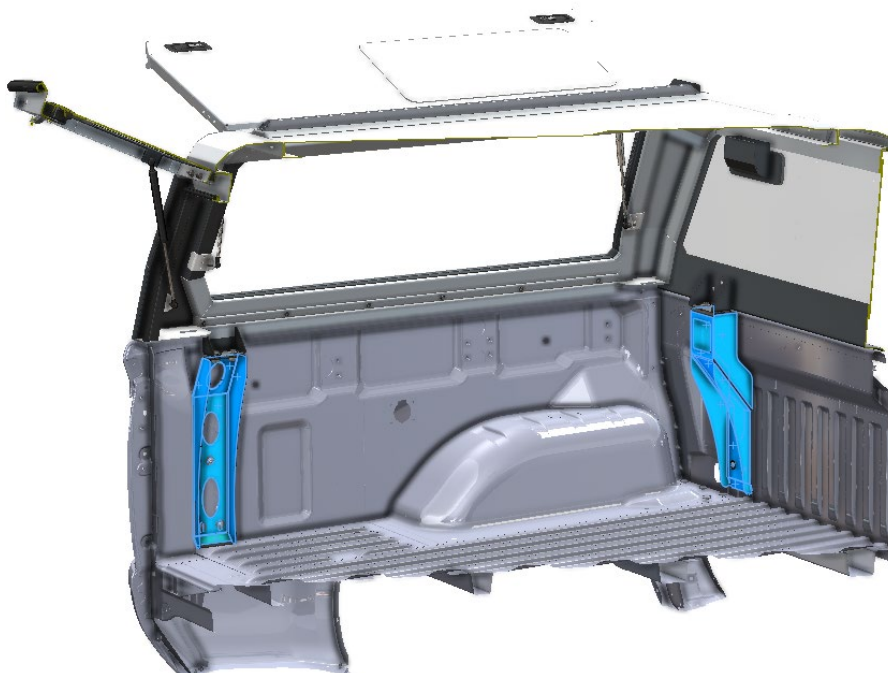
- ✓ Place the FRT fitment bracket in position and secure with 2 x M8 body washers, 2 x M8 spring washers and 2 x M8 x 25 bolts at the bottom. Repeat on right hand side.



**CAB SIDE****TAIL GATE SIDE****STEP 5**

- ✓ Load the canopy on to the loading bin, align & space evenly.
- ✓ Once the canopy is in place, ensure that the canopy fitment points align with the slots in the fitment brackets. Once alignment is confirmed in all 4 corners, use a M8 x 25 bolt and M8 body washer on top, then 1 x M8 body washer and 1 x M8 nylock nut on the bottom of each hole to pull the canopy to the brackets, tighten all bolts to 25nm.

**Tip:** do not forget to apply copper compound to the thread as the nut and bolt could seize.



## TAIL GATE FITMENT BRACKET



## CAB SIDE FITMENT BRACKET



## STEP 6

- ✓ Trim sealing rubber on tailgate with knife or scissors.
- ✓ Check again for alignment of canopy on sides of loading bin.
- ✓ Check all bolts one final time.
- ✓ Please contact us on 010 010 0060 if you require any assistance with your canopy.
- ✓ Enjoy your NEW Rhinoman all Aluminum Canopy.

## WARRANTY SERVICE &amp; CARE GUIDE

- ✓ All Rhinoman products carry a comprehensive 2 year factory warranty on the Aluminum welded frame, and a 1 year warranty on all mechanical components.
- ✓ **PLEASE NOTE:** Your canopy will only be covered under warranty if it has been fitted by an approved Rhinoman fitment center or agent.
- ✓ Please do inspect the fasteners on the fitment brackets every once in a while to ensure that all bolts are still tight and properly secured.

SHOULD YOU HAVE ANY ENQUIRIES ABOUT THE FITMENT, FEEL FREE TO CONTACT US



010 010 0060



SALES@RHINOMAN.CO.ZA



RHINOMAN.CO.ZA