

FITMENT INSTRUCTIONS



ISUZU D-MAX (GEN 6 & 7) DOUBLE-&-EXTENDED CAB

XTREME, XPEDITION & RHINOLITE

FITMENT KIT CONTENTS

DESCRIPTION	QUANTITY	ILLUSTRATION
• M8 x 30 Bolt	12	
• M8 Nylock Nut	4	
• M8 Flat Washer	16	
• M8 Spring Washer	8	
• Cab Side Bracket LH	1	
• Cab Side Bracket RH	1	
• Tail Gate Bracket LH	1	
• Tail Gate Bracket RH	1	

REQUIRED TOOLS

DESCRIPTION	ILLUSTRATION
• 13mm Spanner	
• 13mm Socket Wrench (Optional)	
• Drill	
• 9mm Drill bit	

INSTALLATION TIME & CARE INSTRUCTIONS

Approx. 45 Minutes (Excluding the removal of any accessories from load bin)

- ✓ Before installation, ensure that your hands and workwear are clean from oil, grime & dirt.
- ✓ Ensure that the correct tools and PPE are used whilst installing the canopy. Clean the rear cab window before fitting the canopy.

FITMENT STEPS

STEP 1

- ✓ Unpack all components and hardware from packaging. Ensure that everything is accounted for as indicted above.

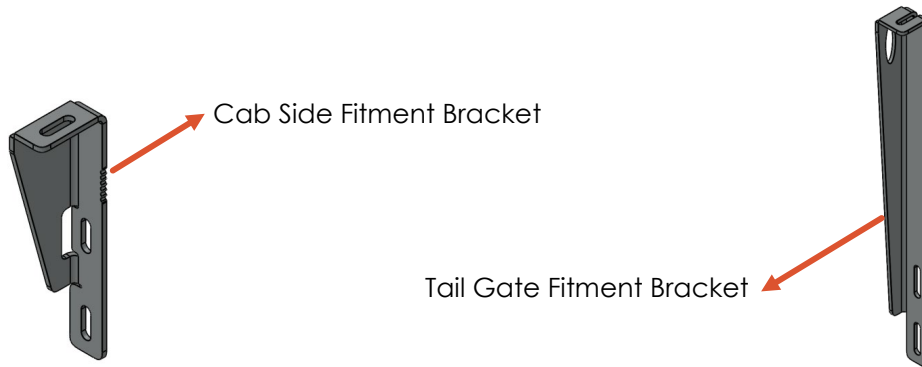
STEP 2

- ✓ Remove any cab guards, roll bar, tonneau cover, sports bar etc. from vehicle.

STEP 3

- ✓ Remove the factory fitted tie-down hooks.
- ✓ Insert & align the cab side brackets with the front tie down fastening points.
- ✓ Insert & align the Tail gate side brackets with the rear tie down fastening points.

- ✓ Ensure that the rear cab window of the vehicle is clean, before loading the canopy onto the load bin.



STEP 4

- ✓ Fit & align the canopy center to the vehicle load box, with a minimum distance of 25mm between the canopy front panel and vehicle cabin. (Fig. 1).
- ✓ When the canopy is resting on the load bin, adjust the brackets to achieve a gap of approx. 6mm between the canopy fastening surface and the bracket top surface. (Fig2.)
- ✓ Once the canopy is aligned and in place, use a black marker to mark the hole positions of the fitment brackets. Once all 4 x corners are marked, drill a Ø9mm hole into the side trim through the vehicle load box. (XP canopies will be pre-drilled).
- ✓ Secure the brackets to the load body by fastening the bolts slowly & securely.
- ✓ Secure the canopy to the brackets using the bolts supplied, tighten the bolts to secure the two surfaces firmly.

FIG 1.

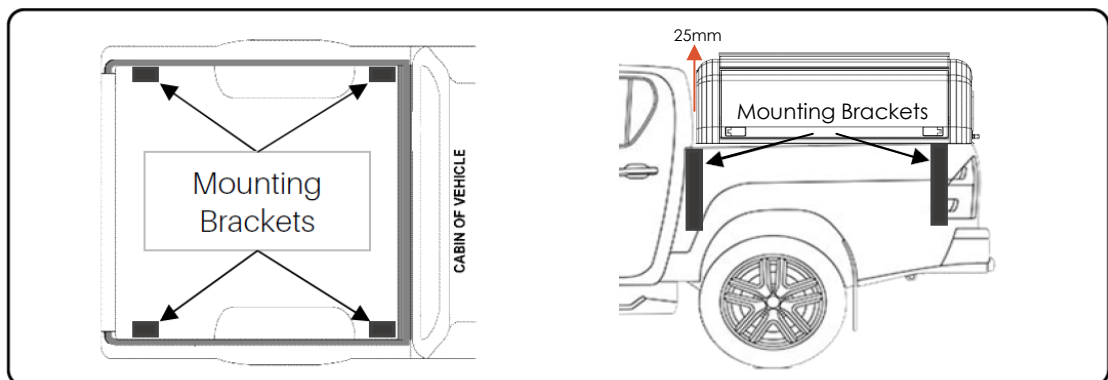
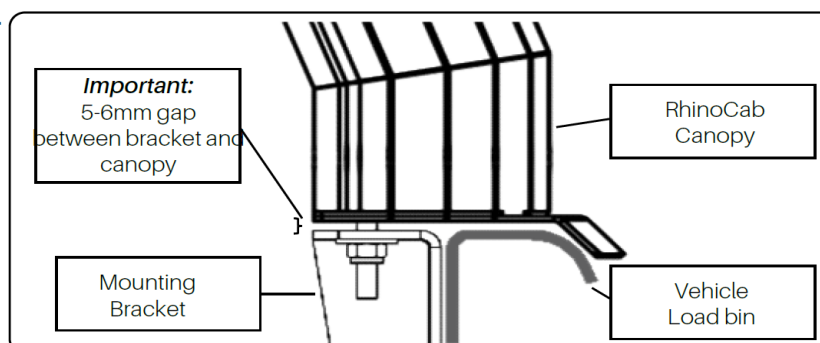


FIG 2.





STEP 5

- ✓ Trim sealing rubber on tailgate with knife or scissors.
- ✓ Check again for alignment of canopy on sides of loading bin.
- ✓ Check all bolts one final time.
- ✓ Enjoy your NEW Rhinoman all Aluminum Canopy.

SHOULD YOU HAVE ANY ENQUIRIES ABOUT THE FITMENT, FEEL FREE TO CONTACT US



010 010 0060



SALES@RHINOMAN.CO.ZA



RHINOMAN.CO.ZA