

## FITMENT INSTRUCTIONS



FORD RANGER (P703)

DOUBLE-&amp;-EXTENDED CAB

XTREME, XPEDITION, RHINOLITE &amp; LX

**Important Notice:**

Installation of a J-brace bracket by a Ford-approved fitment center is compulsory before installing a canopy to ensure adequate bin reinforcement.

## FITMENT KIT CONTENTS

DESCRIPTION	QUANTITY	ILLUSTRATION	
<ul style="list-style-type: none"> <li>M8x25 Hexagonal Bolt</li> <li>M8x35 Hexagonal Bolt</li> <li>M8 Nyloc Nut</li> <li>M8 Flat Washer</li> <li>M8 Body Washer</li> <li>M8 Spring Washer</li> <li>30mm X 10mm X 1425mm Foam Strip</li> </ul>	<ul style="list-style-type: none"> <li>10</li> <li>8</li> <li>8</li> <li>4</li> <li>22</li> <li>10</li> <li>1</li> </ul>		
<u>LH FRONT (CAB SIDE)</u> <u>FITMENT BRACKET</u> QTY: 1-OFF	<u>RH FRONT (CAB SIDE)</u> <u>FITMENT BRACKET</u> QTY: 1-OFF	<u>LH REAR (TAIL GATE)</u> <u>FITMENT BRACKET</u> QTY: 1-OFF	<u>RH REAR (TAIL GATE)</u> <u>FITMENT BRACKET</u> QTY: 1-OFF

## REQUIRED TOOLS

DESCRIPTION	ILLUSTRATION
<ul style="list-style-type: none"> <li>T40 / T45 Torx Key / Star allen key</li> <li>8mm Spanner</li> <li>8mm Socket Wrench (Optional)</li> <li>13mm Spanner</li> <li>13mm Socket Wrench (Optional)</li> <li>Stanley Knife</li> </ul>	

## INSTALLATION TIME &amp; CARE INSTRUCTIONS

Approx. 45 Minutes (Excluding the removal of any accessories from load bin)

- ✓ Before installation, ensure that your hands and workwear are clean from oil, grime & dirt.
- ✓ Ensure that the correct tools and PPE are used whilst installing the canopy. Clean the rear cab window before fitting the canopy.
- ✓ Torque all M8 fasteners to approx. 28Nm.

## FITMENT STEPS

## STEP 1

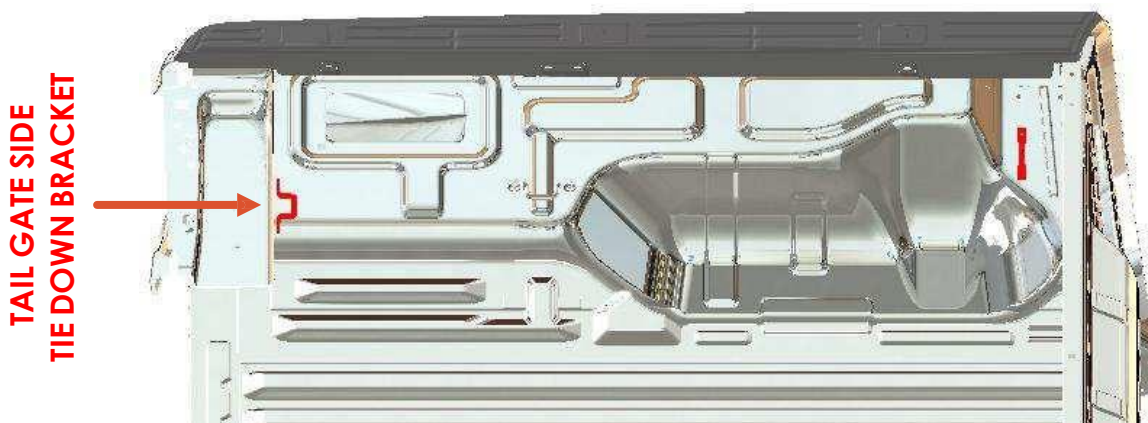
- ✓ Unpack all components and hardware from packaging, ensure that all components are accounted for as indicated in the fitment kit contents.

## STEP 2

- ✓ Remove any cab guards, roll bar, tonneau cover, sports bar etc. from vehicle.

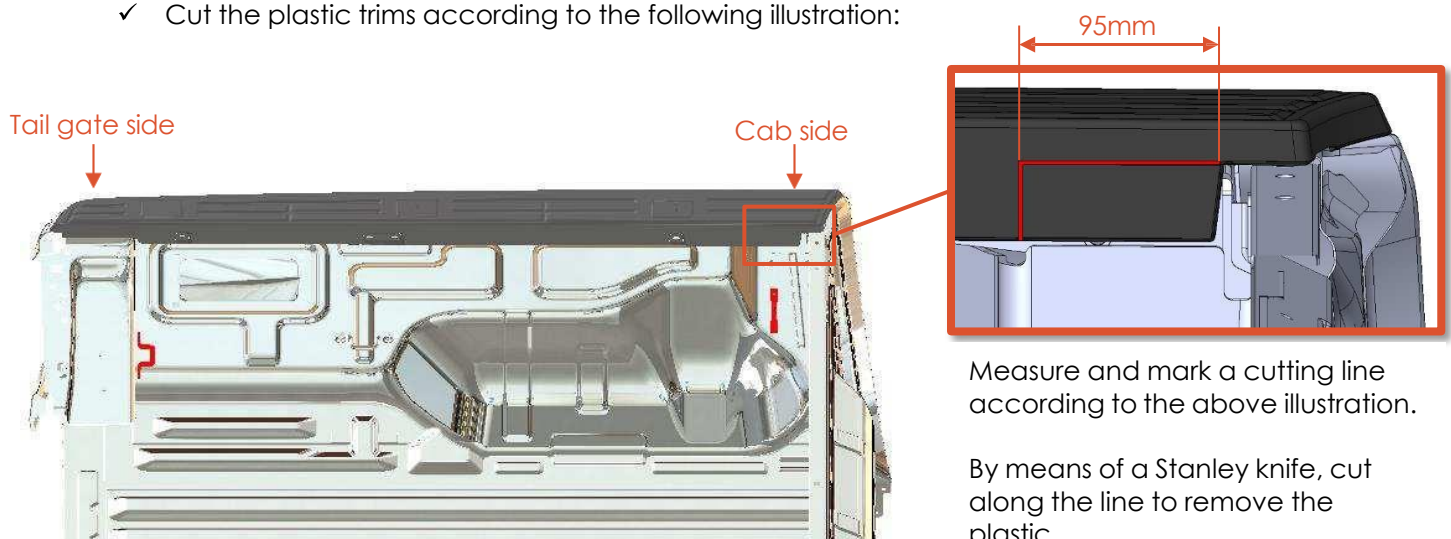
## STEP 3

- ✓ Remove the tail gate side factory fitted tie-down brackets with a T40 / T45 Torx key.



Remove the tie-down brackets on both sides of the vehicle.

- ✓ Cut the plastic trims according to the following illustration:



Measure and mark a cutting line according to the above illustration.

By means of a Stanley knife, cut along the line to remove the plastic.

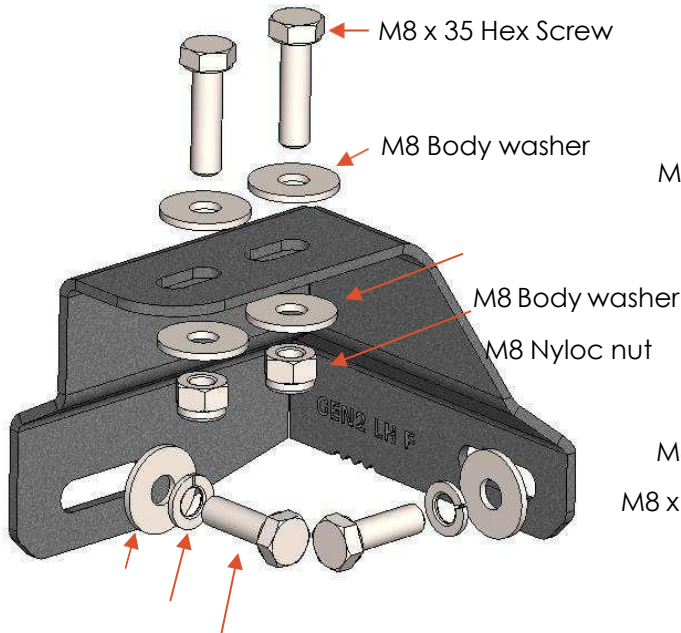
Repeat this process on the opposite side trim.



- ✓ Identify and fit the supplied cab and tail gate side brackets to the tie down points with their respective bolts.

Cab side fitment brackets

Fast sets



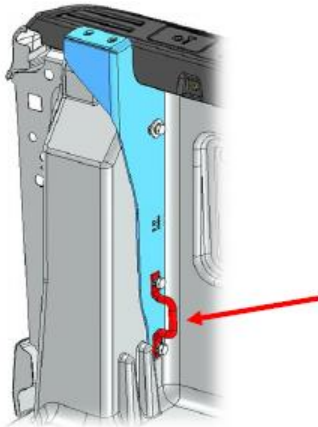
- M8 Body washer
- M8 Spring washer
- M8 x 25 Hex Screw

Tail gate side fitment brackets

Fast sets

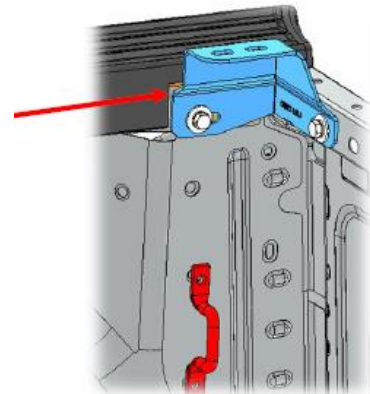


**Fitment bracket orientation**  
**Without Bin Liner:**

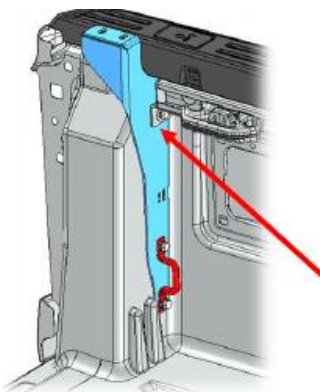


\*NOTE:  
Ensure that the cut-out made in the plastic side trim does not obstruct the bracket.

\*NOTE:  
The factory fitted tie down brackets can be placed over the fitment brackets.

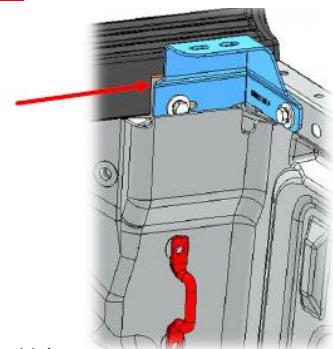


**Fitment bracket orientation With bin liner:**



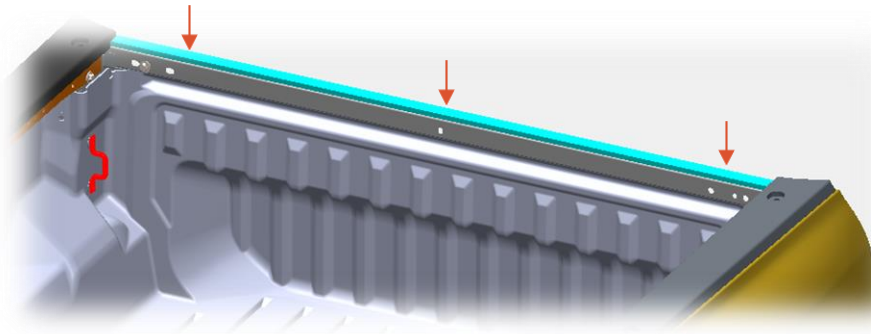
\*NOTE:  
Ensure that the cut-out made in the plastic side trim does not obstruct the bracket. Place the bracket between the bin liner and load bin as indicated.

\*NOTE: Place the bracket in between the side rail fastening point and the load bin.



## STEP 4A

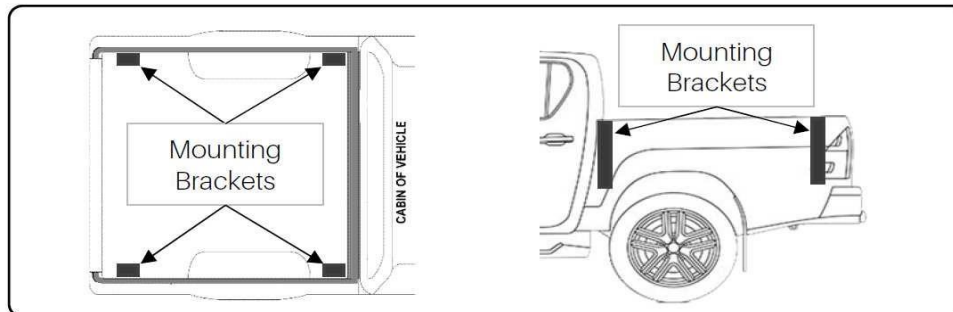
- ✓ Ensure that the rear cab window of the vehicle is clean
- ✓ Apply the foam strip on the load bin headboard as indicated (Foam strip 30 mm x10mm x 1415 mm long)



## STEP 4B

- ✓ Load the canopy onto the load bin and align the canopy center to the vehicle.
- ✓ Confirm that the fitment holes on the inside of the canopy side trims align with the fitment holes on top of the fitment brackets.
- ✓ Secure the canopy to the brackets using a M8 x 35 Hexagonal bolt and M8 body washer from the top, with a M8 body washer and M8 Nyloc nut from the bottom. Tighten all bolts until the canopy fastening points is flat against the fitment brackets.

FIG 1.



## STEP 5

- ✓ Trim sealing rubber on tailgate with knife or scissors to suit.
- ✓ Confirm alignment of canopy and the rubber seal all around.
- ✓ Check all bolts one final time.
- ✓ Enjoy your NEW Rhinoman canopy.

## WARRANTY SERVICE &amp; CARE GUIDE

- ✓ All Rhinoman products carry a comprehensive 2-year factory warranty.
- ✓ **PLEASE NOTE:** Your canopy will only be covered under warranty if it has been fitted by an approved Rhinoman fitment center or agent.
- ✓ Please do inspect the fasteners on the fitment brackets every once in a while, to ensure that all bolts are still tight and properly secured.

SHOULD YOU HAVE ANY ENQUIRIES ABOUT THE FITMENT, FEEL FREE TO CONTACT US

